

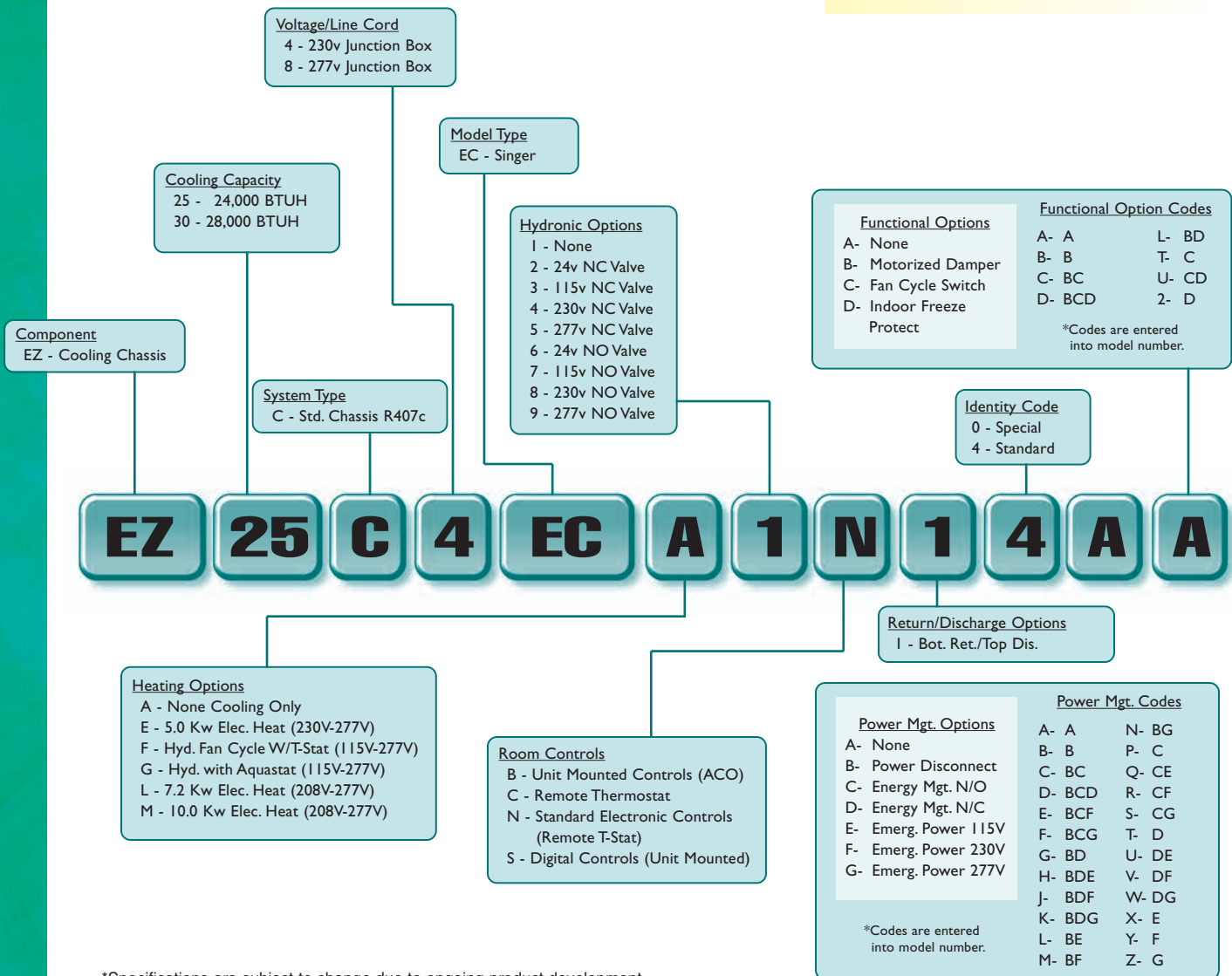
# EZ SERIES EC

## Replacement for the Singer and McQuay C/EC

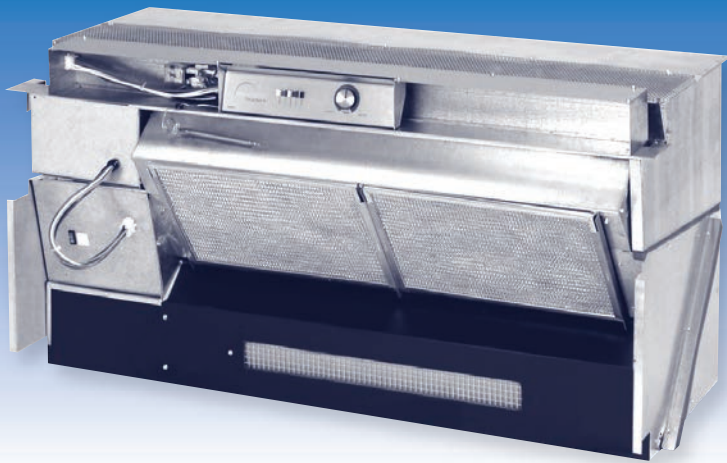
Islandaire EZ Series EC is a replacement for the Singer and McQuay models of C/EC units. Our commercial duty construction with heavy gauge galvanized steel and superior components create an efficient reliable unit. This design eliminates the need for any interior or exterior renovation. Use of the existing wall sleeve-cabinet and louver saves time and money, two very important factors in today's competitive environment! If the need does occur where the wall sleeve-cabinet and/or louver needs to be replaced, we manufacture these accessories. Mounted controls are auto change over.

### FEATURES

- Proudly Made in the U.S.A.
- Superior Energy Efficiency Ratios (EERs)
- Commercial Duty Construction with Heavy Gauge Galvanized Steel
- Designed for exact replacement of existing sleeve opening
- Energy Efficient Rotary Compressors
- P.S.C. Evaporator and Condenser Motors
- High-Efficiency Refrigeration Coils Used to Provide Superior Heat Transfer
- Units Available as Cooling only, Cooling with Electric Heat, Cooling with Hydronic Heat, or Heat Pumps
- Custom Options Available
- Available with State-of-the-Art Digital *Intellitemp™* Control System
- Available with wired and wireless wall thermostats
- NYC MEA Number 358-93-E



\*Specifications are subject to change due to ongoing product development.



### ACCESSORIES:

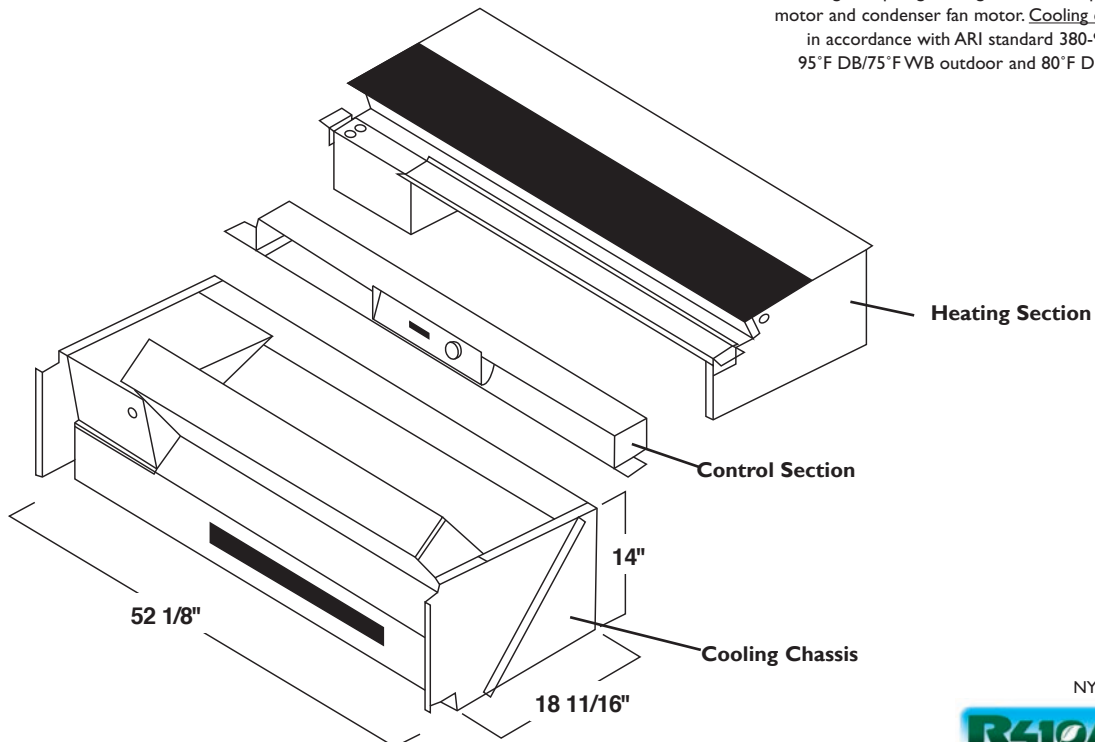
- 4080281** EZEC Enclosure assembly, 70" w x 28.8" h x 15" d
- 4080590** EZEC Enclosure assembly, 70" w x 33" h x 15" d
- 2400130** EZEC Wall Sleeve
- 6070169** EZEC Exterior louver
- 6030087** EZEC Hydronic coil, serpentine

Heating Option	Voltage (1)	Wattage	B.T.U.s (2)	Amps (3)
E	230	5,000	17,070	22.34
	277	5,000	17,070	18.65
L	230	7,200	24,550	32.8
	277	7,200	24,550	27.4
M	230	10,000	34,100	44.9
	277	10,000	34,100	37.6

(1) Voltage is Single Phase, Alternating Current and R.M.S. (2) Heating Capacity (B.T.U./Hr.) based on indoor blower motor and heating elements. (3) Amp values are a combination of indoor blower motor and heating elements.

MODELS				
	EZ25		EZ30	
<b>VOLTS</b>	230	277	230	277
<b>BTUH/HR</b>	23,000	24,000	27,500	27,500
<b>AMPS</b>	15.2	15.3	19.2	17.3
<b>WATTS</b>	3321	3850	4190	3270
<b>CFM HIGH</b>	600	600	600	600
<b>CFM LOW</b>	525	525	525	525

Wattage, Amperage, listings include compressor, evaporator motor and condenser fan motor. Cooling capacities specified in accordance with ARI standard 380-93 at conditions of 95°F DB/75°F WB outdoor and 80°F DB/67°F WB indoor.



NYC MEA# 358-93-E

